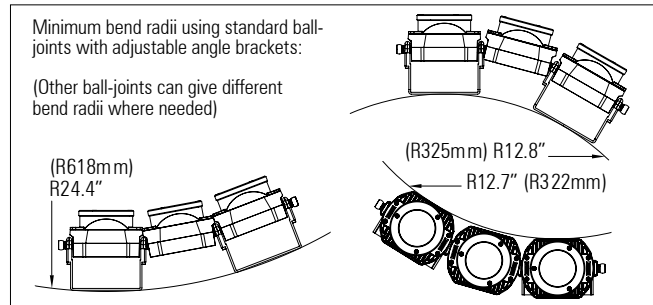
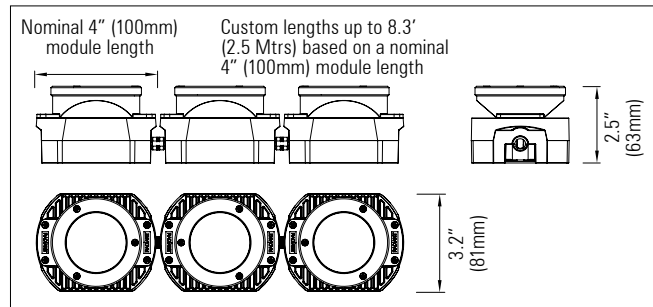


3D LED Flex system 100 RGBW IP66 Class 2

1 x RGBW LED array with colour-blending lens per module
Modular, 3D flexible LED linear lighting system



1 x RGBW LED array with Gaggione colour-blending lens per module

Modular, 3D flexible LED linear lighting system

Product description:

For use in exterior lighting applications where the building surfaces are non linear with curved profiles

Each module - 1 x array of 4 x Luxeon CZ LEDs, with a highly efficient colour-blending Gaggione lens - custom combinations of white and colour LEDs. See grid for lens options

Up to 10 Watts per module. Up to 48 V DC supply

Flexible in 3 dimensions - Articulated ball-joint system between modules

LED pitch is maintained between the modules

Side, back and end power feed and connector options allow for continuous lighting with no dark areas between fixtures. 17.5 Amp IP68 connectors join fixtures together on-site

Integral LV constant current driver or remote Eldoled 4 Channel DMX driver

Remote DMX / DALI controller can be located up to 164' (50 mtrs) from the fixtures

Satin black, satin white or any RAL paint colour finish

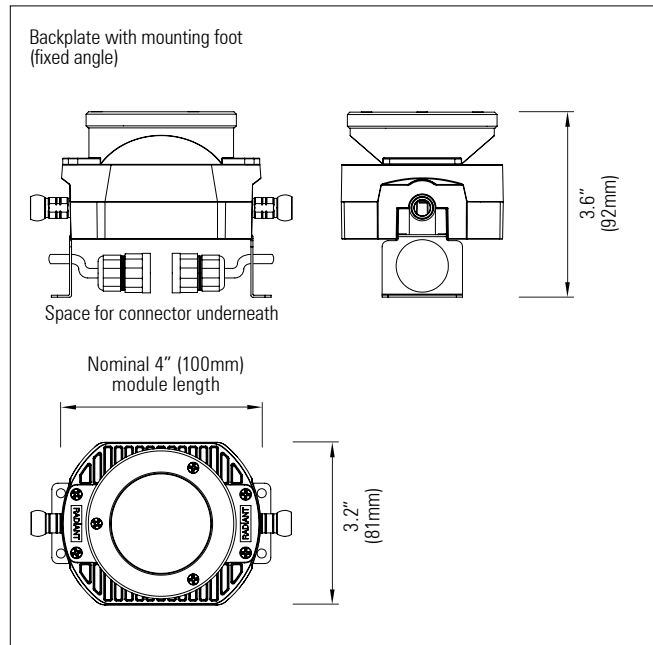
Custom lengths based on a 4" (100mm) module length up to 8.3' (2.5 mtrs)

Various mounting options and bracket types are available

Product Code	No. of LEDs	IP	Length	LED Type	Colour Temp. white LEDs (K)	CRI	Colour LED options	Optics (°)	Cover	Feed	Finish
RAD 3D LED FLEX 100 IP66 RGBW - 4L	1 x array of 4 x RGBW LEDs per 4" (100mm) module: 4" (100mm) pitch between arrays	66	4" (100mm) -increments of 4" (100mm) up to- 8.3' (2.5 mtrs)	Luxeon CZ LEDs	22=2,200k 27=2,700k 30=3,000k 35=3,500k 40=4,000k 45=4,500k 50=5,000k 57=5,700k 65=6,500k Dynamic white	70 80 90	Far Red, Red, Deep Red, Red-Orange, Amber, PC Amber, Mint, Lime, Green, Cyan, Blue, Royal Blue, Violet	Gaggione collimators: Narrow : 8.7° Medium: 23.4° Wide: 33° Elliptical: 36.4° x 14.6°	Clear	End Back Side	Black White Any RAL-colour

3D LED Flex system 100 RGBW IP66 Class 2

1 x RGBW LED array with colour-blending lens per module
Fixed-angle and adjustable-angle mounting bracketry



Fixed-angle and adjustable-angle mounting bracketry for 3D LED Flex 100 IP66. 1 x RGBW LED array with Gaggione colour-blending lens per module

The 3D LED Flex 100 system is flexible in 3 dimensions, which allows it to follow curved building contours

There are a number of bracket options available

Adjustable angle brackets allow the modules to be rotated around the major axis, so that the light output can be aimed precisely

The angle of the modules can be adjusted on-site by hand. The friction ball-joint system keeps the modules correctly positioned. There is also a lockable option, which allows each module to be locked in place using an Allen key once it is correctly positioned

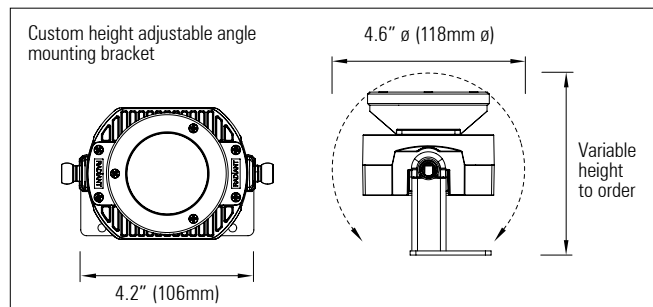
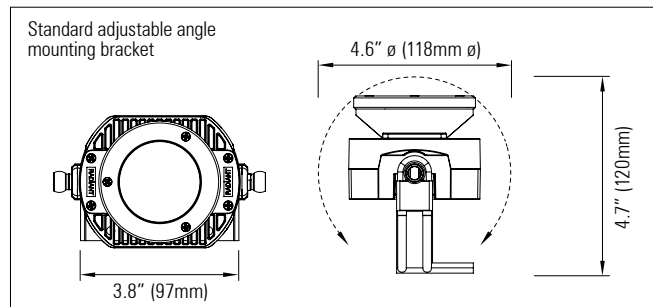
A standard height adjustable angle bracket and a custom height adjustable angle bracket are available

Fixed angle bracket options are also available. The standard fixed angle bracket has a mounting foot which has space for the connectors to fit underneath the modules

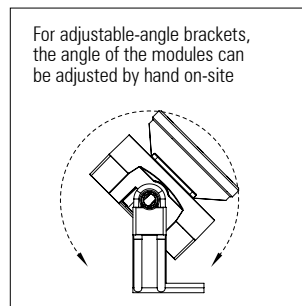
Custom options are also available

The brackets are aluminium with a powder coat finish which is available in satin black, satin white or any RAL colour

The custom height adjustable angle bracket is also available in stainless steel for more demanding exterior applications. Again, this is available with a powder coat finish in satin black, satin white or any RAL colour



Product code	IP	Finish	Height of legs
RAD 3D LED FLEX 100 IP66 FIXED ANGLE BRACKET WITH MOUNTING FOOT AL	66	Aluminium: Black White Any RAL - colour	Custom height version only:
RAD 3D LED FLEX 100 IP66 ADJUSTABLE ANGLE BRACKET STANDARD AL			0.79"
RAD 3D LED FLEX 100 IP66 ADJUSTABLE ANGLE BRACKET CUSTOM HEIGHT			-increments of 0.2" up to-
		Stainless steel: Black White Any RAL - colour	11.8"

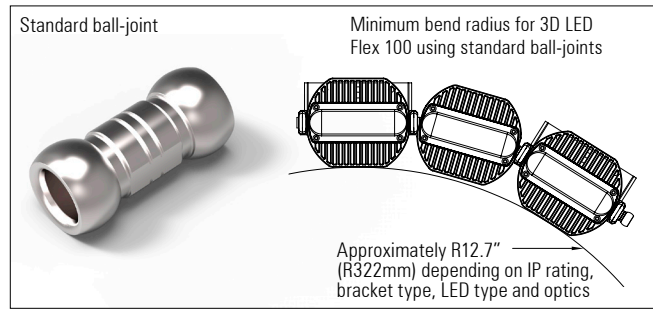


Product description:

Radiant's 3D LED Flex 100 system comprises a patented articulated ball-joint system which links the heatsink modules.

The ball-joints system allows the strips to bend and twist in 3 dimensions, so that they can follow any building contours, whilst maintaining a constant LED pitch.

There are various types of ball-joint to suit different applications, some of which can be seen on this data sheet. Please contact Radiant to discuss custom solutions.



Product Code	Material	Length
STANDARD BALL-JOINT BALL-JOINT TIGHT BENDS BALL-JOINT LONG	Nickel-plated brass	(For longer ball-joints) 3.9" (100mm) 7.9" (200mm) 11.8" (300mm) Custom lengths

